



**KEB**

**#rethinkAUTOMATION**

**THE SYSTEM SOLUTION**

EN PORTFOLIO

# The meaning of #rethink**AUTOMATION**

Rethink your machines and systems – from the IIoT to the brake. KEB Automation offers you innovative automation and drive solutions from a single source.

Whether it's the new NOA automation platform, modern inverters or powerful motors: our products are holistic, flexible, open, independent and individual. For the best performance of your machine.

## YOUR APPLICATION

- Intralogistics
- Plastics technology
- Woodworking machinery
- Pack & Food
- Process technology and much more.

## OUR SOLUTIONS

- IIoT platform
- Control technology
- Drive controllers
- (Geared) motors
- Brakes and clutches

The KEB logo is displayed in white, bold, uppercase letters on a red rectangular background. The background of the entire page is a blurred industrial scene with blue and orange lighting.



## **HOLISTIC**

One point of contact for everything: as a system provider, we supply the complete drive for your application.

## **FLEXIBLE**

Scalable safety functions, various power classes or diverse cooling methods: our products adapt to your needs.

## **OPEN**

Do you want to keep your existing control system? KEB components can be seamlessly integrated into existing systems.

## **INDEPENDENT**

We are an owner-managed company with a high level of vertical integration and in-house research and development.

## **INDIVIDUAL**

Standard was yesterday: We focus on your personal requirements and find the best automation and drive solution.

# IIOT and AUTOMATION



(Next Open Automation) is an open and flexible automation and IIoT platform that makes it possible to capture, visualise and analyse machine and process data.

- Open architecture
- App integration
- Cloud connection

## Engineering tool COMBIVIS studio 6

- IEC 61131-3 development environment
- Extensive libraries and databases
- Commissioning and diagnostic tools

## Visualisation with HELIO

- Works anywhere: future-proof and flexible thanks to true responsiveness
- Usability out of the box: HELIO takes over the UX design for you
- Live & direct: edit with real live data from the plant



## Web HMI – C6 X1

- Capacitive multi-touch screens
- Sizes from 7" to 21.5"
- Various mounting options, versatile

## Panel-, box-, book mount, DIN rail IPCs and I/O systems

- Scalable, centralised and decentralised IPC solutions
- EtherCAT master incl. Safety over EtherCAT
- Safety PLC, safety I/O module

## COMPACT 3 – Embedded Automation Device

- Real-time capable motion control
- Versatile application possibilities
- Container-based technology



# DRIVE SYSTEMS

## DRIVE CONTROLLER AND SERVO DRIVES

- Servo drive COMBIVERT S6 in book format for a rated current of 2.6 A to 16.5 A
- Frequency inverter and servo drive COMBIVERT F6 for the power range from 2.2 kW to 450 kW
- Different installation and cooling types
- Versatile motor control with or without encoder
- Flexible communication interfaces
- Integrated safety functions
- Optimised control algorithms for high energy efficiency



### Power supply / regeneration systems up to 1,000 kVA

- For DC supply of several drives
- Generate regenerative braking energy from processes
- Reduce operating costs



### EMC, mains and motor filters

- Optimisation of the mains or motor-side connection
- Protect motor windings, reduce harmonics
- Integrated in drives or as a modular solution



## MOTORS

### Three-phase motors up to 45 kW

- The robust, versatile electric drive
- Compatible with brake, encoder, external ventilation, etc.
- Optimised for operation on the inverter

### Servo motors up to 500 Nm

- Highest dynamics with up to 5 times the nominal torque
- Permanent magnet servo motors
- With or without feedback (resolver, single or multi-turn absolute encoder)



## GEARS

### Helical geared motors up to 13,600 Nm

- High reliability
- Compact design
- Wide gear ratio
- The first choice for the horizontal output in modern systems

### Helical worm geared motors up to 1,160 Nm

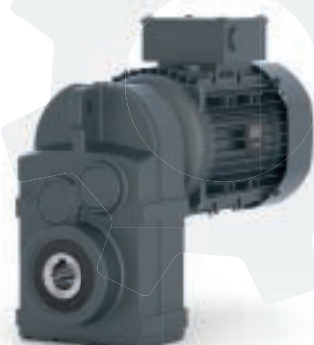
- Good efficiency thanks to the upstream helical gear stage
- High torque and low speed
- Mallest installation space with lateral output

### Shaft mounted helical geared motors up to 8,900 Nm

- Convenient mounting options
- Robust and durable construction
- Optimal performance

### Helical bevel geared motors up to 12,200 Nm

- Optimal efficiency factor,
- Wide speed range
- Perfect solution for designs with lateral output



# BRAKES and CLUTCHES

Over 50 years of experience in the design, manufacture and application of electromagnetic solutions for safe holding, starting, stopping or positioning.

## Spring-applied brakes up to 4,000 Nm

- COMBISTOP series
- Fail-safe principle for maximum safety
- Maintenance-free and easy to install

## Electromagnetic brakes and clutches up to 1,250 Nm

- COMBINORM series
- Fail-safe operation
- Backlash-free torque transmission

## Permanent magnet brakes up to 194 Nm

- COMBIPERM series
- Holding brake with emergency stop function
- Holding without torsional backlash and disconnecting without residual torque
- Closed in the de-energised state



## APPLICATION SOLUTIONS

### E-MOBILITY

#### Modular inverter system

- For driving auxiliary units
- Flexible in three sizes of 16.5 A, 33 A and 60 A
- Suitable for up to six independently drivable electric motors
- Includes control unit for regulating individual system properties
- Communication gateway for vehicle control

### WIND POWER

#### Clean energy from onshore and offshore applications

- In large wind power plants
- Control of energy quantities with KEB pitch systems and yaw / azimuth drives
- Protects systems from overload conditions



## CONTACTS

### **Austria** | KEB Automation GmbH

E-Mail: [info@keb.at](mailto:info@keb.at) Web: [keb-automation.com](http://keb-automation.com)

### **Benelux** | KEB Automation KG

E-Mail: [info.benelux@keb.de](mailto:info.benelux@keb.de) Web: [keb-automation.com](http://keb-automation.com)

### **Canada** | KEB Canada

E-Mail: [sales@keb-automation.ca](mailto:sales@keb-automation.ca) Web: [keb-automation.ca](http://keb-automation.ca)

### **Czech Republic** | KEB Automation s.r.o.

E-Mail: [info@keb.cz](mailto:info@keb.cz) Web: [keb-automation.com](http://keb-automation.com)

### **France** | Société Française KEB SASU

E-Mail: [info@keb.fr](mailto:info@keb.fr) Web: [keb-automation.com](http://keb-automation.com)

### **Germany** | **Geared Motors**

KEB Antriebstechnik GmbH

E-Mail: [info@keb-drive.de](mailto:info@keb-drive.de) Web: [keb-automation.com](http://keb-automation.com)

### **Italy** | KEB Italia S.r.l. Unipersonale

E-Mail: [info@keb.it](mailto:info@keb.it) Web: <https://blog.keb.it>

### **Japan** | KEB Japan Ltd.

E-Mail: [info@keb.jp](mailto:info@keb.jp) Web: [keb.jp](http://keb.jp)

### **P. R. China** | KEB Power Transmission Technology (Shanghai) Co. Ltd.

E-Mail: [info@keb.cn](mailto:info@keb.cn) Web: [keb.cn](http://keb.cn)

### **Poland** | KEB Automation KG

E-Mail: [roman.trinczek@keb.de](mailto:roman.trinczek@keb.de) Web: [keb-automation.com](http://keb-automation.com)

### **Republic of Korea** | KEB Automation KG

E-Mail: [vb.korea@keb.de](mailto:vb.korea@keb.de) Web: [keb-automation.com](http://keb-automation.com)

### **Spain** | KEB Automation KG

E-Mail: [vb.espana@keb.de](mailto:vb.espana@keb.de) Web: [keb-automation.com](http://keb-automation.com)

### **Switzerland** | KEB Automation AG

E-Mail: [info@keb.ch](mailto:info@keb.ch) Web: [keb-automation.com](http://keb-automation.com)

### **United Kingdom** | KEB (UK) Ltd.

E-Mail: [info@keb.co.uk](mailto:info@keb.co.uk) Web: [keb-automation.com](http://keb-automation.com)

### **United States** | KEB America, Inc.

E-Mail: [info@kebamerica.com](mailto:info@kebamerica.com) Web: [kebamerica.com](http://kebamerica.com)

# Automation with Drive

# keb-automation.com

KEB Automation KG Suedstrasse 38 32683 Barntrop Germany Tel. +49 5263 401-0 E-Mail: [info@keb.de](mailto:info@keb.de)